

## High Speed Modulated CO<sub>2</sub> LASER

**Model MERIT-M**

### SPECIFICATIONS

**Pulse Repetition frequency:** 1MHz to 100 MHz

**Pulse length:** < 4 ns

**Peak Laser Power:** 1 watt

**Wavelength range:** 10.6  $\mu$ m nominal

**Power stability:**  $\pm$ 10% typical

**Laser beam parameters:** Near TEM<sub>00</sub>, M<sup>2</sup> < 1.2; beam diameter at exit: 1 mm; beam divergence angle: 14 mrad

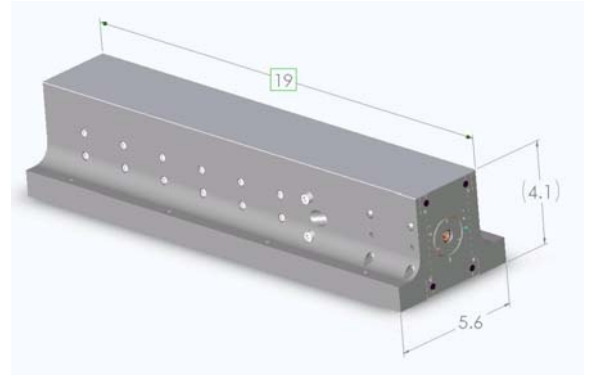
**Dimensions:** 19" x 4.1" x 5.6"

**Cooling requirement:** cold plate

**Power source:** 28 VDC at 6 amps, 15 VDC at 500mA

**Factory warranty:** One year for parts and labor due to manufacturing quality

- \* We strive to satisfy custom requirements. Please contact us if you have other special needs.
- \* Specifications subject to change without notice.



For more information, visit us at  
[www.accesslaserco.com](http://www.accesslaserco.com)

